

TWN 1000 RPM › TW 1400 RPM › TWS 1750 RPM

TWN › TW › TWS

PREMIUM

Triplex pumps
 Pompe a piston triplex
 Bombas de pistones triplex


(S Version) TWN › TW › TWS
SOLID SHAFT Ø24 mm

For special electric motors with hollow shaft, for pulley drive, gearbox or flex couplers.

ALBERO MASCHIO Ø24 mm

Per motore elettrico speciale con albero femmina, per puleggia, riduttore o giunto elastico.

EJE MACHO Ø24 mm

Para motor eléctrico especial con eje hembra, para polea, reductor o junta elástica.

(S Version) TWN › TW › TWS
SOLID SHAFT Ø30 mm

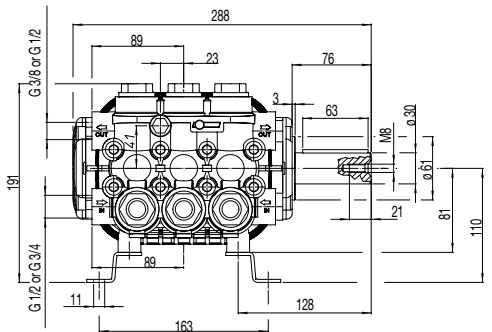
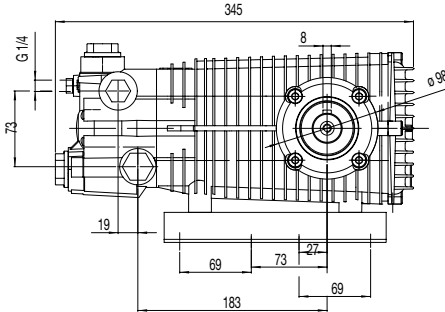
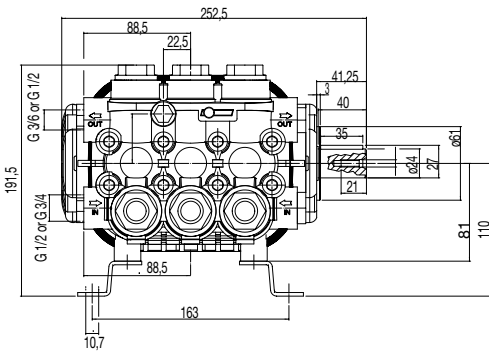
For special electric motors with hollow shaft, for pulley drive, gearbox or flex couplers.

ALBERO MASCHIO Ø30 mm

Per motore elettrico speciale con albero femmina, per puleggia, riduttore o giunto elastico.

EJE MACHO Ø30 mm

Para motor eléctrico especial con eje hembra, para polea, reductor o junta elástica.



Code Codice Código	Model Modello Modelo	Version	Ø	R.P.M. Giri/min Rev/min	Flow		Pressure			Power		Weight	
					l/min	U.S.g.p.m.	bar	psi	Mpa	HP	kW	kg	lb
6512 0100	TWN 6036	S	24 mm	1000	22,7	6,0	248	3600	24,8	14,0	10,3	20,0	44,0
6512 0200	TWN 7025	S	24 mm	1000	26,5	7,0	172	2500	17,2	11,5	8,5	20,0	44,0
6512 0300	TWN 8025	S	24 mm	1000	30,0	8,0	172	2500	17,2	12,5	9,3	20,0	44,0
6513 1600	TW 3050	S	24 mm	1400	10,5	2,8	345	5000	34,5	9,5	7,5	20,0	44,0
6513 0400	TW 4550	S	24 mm	1400	17,8	4,7	345	5000	34,5	15,5	11,5	20,0	44,0
6513 1300	TW 5050	S	24 mm	1400	20,0	5,2	345	5000	34,5	17,5	13,0	20,0	44,0
6513 0300	TW 5550	S	24 mm	1400	22,0	5,8	345	5000	34,5	19,0	14,2	20,0	44,0
6513 0700	TW 7036	S	24 mm	1400	26,6	7,0	248	3600	24,8	16,5	12,4	20,0	44,0
6513 1400	TW 8030	S	24 mm	1400	32,9	8,7	207	3000	20,7	17,0	12,7	20,0	44,0
6513 0900	TW 8036	S	24 mm	1400	32,6	8,6	248	3600	24,8	20,5	15,3	20,0	44,0
6513 1700	TW 8040	S	30 mm	1400	32,6	8,6	276	4000	27,6	23,0	16,9	20,0	44,0
6513 1000	TW 10025	S	24 mm	1400	38,0	10,0	172	2500	17,2	16,5	12,5	20,0	44,0
6513 1200	TW 11025	S	24 mm	1750	42,5	11,0	172	2500	17,2	18,5	13,7	20,0	44,0
6514 1000	TWS 5050	S	24 mm	1750	20,0	5,3	345	5000	34,5	17,5	13,1	20,0	44,0
6514 0100	TWS 5550	S	24 mm	1750	21,2	5,6	345	5000	34,5	19,0	14,0	20,0	44,0
6514 0500	TWS 7040	S	24 mm	1750	26,3	7,0	276	4000	27,6	18,5	16,6	20,0	44,0
6514 0600	TWS 8035	S	24 mm	1750	31,5	8,3	241	3500	24,1	19,5	14,6	20,0	44,0
6514 0700	TWS 9030	S	24 mm	1750	35,0	9,3	207	3000	20,7	19,0	14,0	20,0	44,0
6514 0800	TWS 10025	S	24 mm	1750	40,5	10,7	172	2500	17,2	18,0	13,2	20,0	44,0
6514 1100	TWS 10030	S	24 mm	1750	40,5	10,7	207	3000	20,7	20,0	15,0	20,0	44,0
6514 0900	TWS 13020	S	24 mm	1750	50,5	13,0	138	2000	13,8	12,2	9,0	20,0	44,0

All models are supplied with brass head. Standard versions with p.t.o on right hand side.

Tutti i modelli sono forniti con testata in ottone e in versione standard con presa di moto lato destro.

Todos los modelos están disponibles con cabeza de latón y en las versiones estándar con toma de fuerza en el lado derecho.